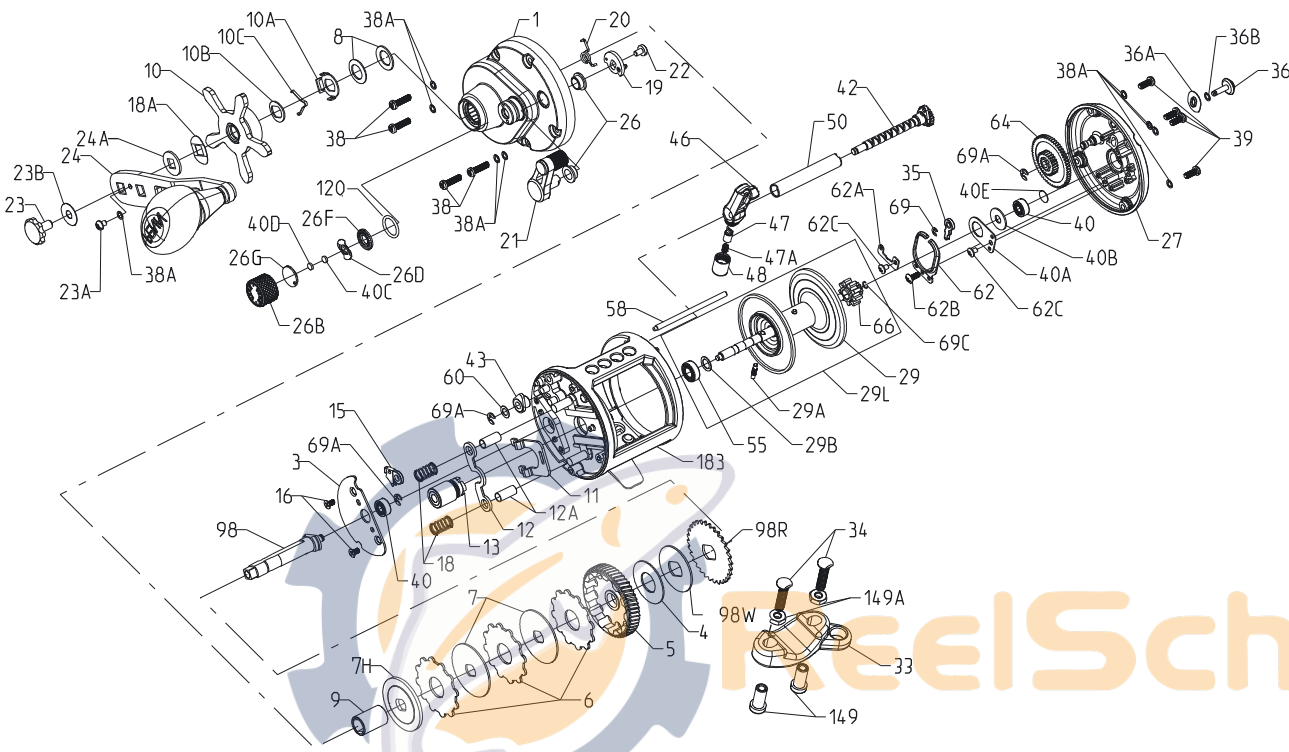




PARTS LIST FOR MODELS FATHOM 20LWLH AND 25LWLH

REEL PART NOs. 1259867(FTH20LWLH)&1259868(FTH25LWLH)



| KEY NO. | 20LWLH PART NO. | 25LWLH PART NO. | DESCRIPTION |
|---------|-----------------|-----------------|--|
| 1 | 1275559 | 1275560 | 1-FTH 20LWLH,25LWLH Left side plate Assembly |
| 3 | 1275563 | 1275563 | 3-FTH20LWLH Bridge |
| 4 | 1188703 | 1188703 | 4-20 Drag Washer |
| 5 | 1275565 | 1275565 | 5-FTH20LWLH Main Gear |
| 6 | 1188705 | 1188705 | 6-20 Tab Drag Washer (3 req) |
| 7 | 1188706 | 1188706 | 7-20 Key Metal Drag Washer (2 req) |
| 7H | 1188707 | 1188707 | 7H-20 Heavy Metal Drag Washer |
| 8 | 1188709 | 1188709 | 8-20 Spring Washer (2 req) |
| 9 | 1188708 | 1188708 | 9-20 Spacer Sleeve |
| 10 | 1275218 | 1275218 | 10-FTH20LWLH Star Drag |
| 10A | 1188711 | 1188711 | 10A-20 Star Click Retainer |
| 10B | 1188710 | 1188710 | 10B-20 Star Click Washer |
| 10C | 1188712 | 1188712 | 10C-525MAG2 Star Click Spring |
| 11 | 1188684 | 1188684 | 11-20 Eccentric Jack |
| 12 | 1188687 | 1188687 | 12-20 Pinion Yoke |
| 12A | 1208062 | 1208062 | 12A-20 Yoke Post Bushing (2 req) |
| 13 | 1275564 | 1275564 | 13-FTH20LWLH Pinion |
| 15 | 1188675 | 1188675 | 15-20 Anti Reverse Dog |
| 16 | 1188686 | 1188686 | 16-20 Bridge Screw (2 req) |
| 18 | 1188688 | 1188688 | 18-20 Pinion Yoke spring (2 req) |
| 18A | 1188714 | 1188714 | 18A-20 Keyed Spring Washer |
| 19 | 1275561 | 1275561 | 19-FTH20LWLH Eccentric |
| 20 | 1188689 | 1188689 | 20-20 Eccentric Spring |

| KEY NO. | 20LWLH PART NO. | 25LWLH PART NO. | DESCRIPTION |
|---------|-----------------|-----------------|---|
| 21 | 1188697 | 1188697 | 21-20 Eccentric Lever |
| 22 | 1188690 | 1188690 | 22-20 Eccentric Screw |
| 23 | 1208117 | 1208117 | 23-FTH20LW Handle Assembly screw |
| 23A | 1188717 | 1188717 | 23A-20 Handle Lock Screw |
| 23B | 1207784 | 1207784 | 23B-20 Handle Screw Washer |
| 24 | 1188716 | 1188716 | 24-20 Handle Assembly |
| 24A | 1188715 | 1188715 | 24A-20 Handle Thrust Washer |
| 26 | 1188692 | 1188692 | 26-20 Bushing (2 req) |
| 26B | 1208114 | 1208114 | 26B-FTH20LW Spool Tension Control Cap |
| 26D | 1125769 | 1125769 | 26D-525MAG2 Spool Tension Click Spring |
| 26F | 1125768 | 1125768 | 26F-525MAG2 Spool Tension Ratchet Inner |
| 26G | 1125772 | 1125772 | 26G-525MAG2 Spool Tension Ratchet Outer |
| 27 | 1275568 | 1275569 | 27-FTH20LWLH,25LWLH Right Side Plate |
| 29 | 1188737 | 1188738 | 29-20, 25 Spool Sub-Assembly |
| 29A | 1188680 | 1188680 | 29A-20 Spool Shaft Pin |
| 29B | 1208078 | 1208078 | 29B-20 Washer |
| 29L | 1188743 | 1188744 | 29L-20, 25 Spool Assembly |
| 33 | 1182754 | N/A | 33-113 Rod Clamp |
| * 33 | N/A | * 1208077 | * 33-40 Rod Clamp |
| 34 | 1128058 | 1128058 | 34-20 Rod Clamp Screw (2 req) |
| 35 | 1188656 | 1188656 | 35-20 Click Tongue |
| 36 | 1208118 | 1208118 | 36-20 Click Button |
| 36A | 1208113 | 1208113 | 36A-FTH20LW Click Washer |
| 36B | 1188651 | 1188651 | 36B-20 Click PVC Washer |
| 38 | 1188698 | 1188698 | 38-20 Screw M3x12 (4 req) |
| 38A | 1188649 | 1188649 | 38A-20 Flat Washer (9 req) |
| 39 | 1188638 | 1188638 | 39-20 Screw M3x8 (4 req) |
| 40 | 1188661 | 1188661 | 40-20 Ball Bearing 4x10x4 (2 req) |
| 40A | 1188663 | 1188663 | 40A-20 Ball Bearing Retainer |
| 40B | 1188662 | 1188662 | 40B-20 Felt Washer |
| 40C | 1208115 | 1208115 | 40C-525MAG2 Washer, Metal Thrust |
| 40D | 1125771 | 1125771 | 40D-525MAG2 Washer, Rubber Thrust |
| 40E | 1188660 | 1188660 | 40E-20 Bronze Washer |
| 42 | 1188724 | 1188725 | 42-20, 25 Worm Shaft Assembly |
| 43 | 1188669 | 1188669 | 43-20 Worm Shaft Bushing |
| 46 | 1208119 | 1208119 | 46-20 Line Guide Assembly |
| 47 | 1188672 | 1188672 | 47-20 Line Guide Pawl |
| 47A | 1188673 | 1188673 | 47A-20 Line Guide Spring |
| 48 | 1208120 | 1208120 | 48-20 Line Guide Nut |
| 50 | 1188726 | 1188728 | 50-20, 25 Worm Shield |
| 55 | 1188681 | 1188681 | 55-20 Ball Bearing 6x12x4 |
| 58 | 1188729 | 1188730 | 58-20, 25 Line Guide Post |
| 60 | 1188670 | 1188670 | 60-20 Worm Shaft Washer |
| 62 | 1188664 | 1188664 | 62-20 Click Spring |
| 62A | 1188653 | 1188653 | 62A-20 Click Spring Guard |
| 62B | 1188665 | 1188665 | 62B-20 Screw M2.6x7.5 |
| 62C | 1188654 | 1188654 | 62C-20 Screw M2.6x4 (2 req) |
| 64 | 1188658 | 1188658 | 64-20 Idler Gear |
| 66 | 1188678 | 1188678 | 66-20 Spool Gear, Click Ratchet |
| 69 | 1188657 | 1188657 | 69-20 Retainer 2x5 |
| 69A | 1188659 | 1188659 | 69A-20 Retainer 3x7 (3 req) |
| 69C | 1188677 | 1188677 | 69C-20 Retainer "C" Ring |
| 98 | 1275562 | 1275562 | 98-FTH20LWLH Main Gear Shaft |
| 98R | 1188701 | 1188701 | 98R-20 Ratchet |
| 98W | 1188702 | 1188702 | 98W-20 Ratchet Thrust Washer |
| 120 | 1184522 | 1184522 | 120 113H O-Ring |
| 149 | 1128059 | 1128059 | 149-20 Rod Clamp Nut (2 req) |
| 149A | 1116161 | 1116161 | 149A-20 Hex Nut (2 req) |
| 183 | 1275566 | 1275567 | 183-FTH20LWLH,25LWLH Frame Assembly |
| * | Not Shown | | |

1275570